

CYLINDRICAL GRAPHS

Identify by letter the graph that corresponds to each of the following functions.

$$r = \cos z$$

1. $0 \leq \theta \leq 2\pi$ _____
 $-2\pi \leq z \leq 2\pi$

$$r = \cos z \cdot \cos 2\theta$$

2. $0 \leq \theta \leq 2\pi$ _____
 $0 \leq z \leq 2\pi$

$$r = z$$

3. $0 \leq \theta \leq 2\pi$ _____
 $0 \leq z \leq 3$

$$r = \cos 3\theta$$

4. $0 \leq \theta \leq 2\pi$ _____
 $0 \leq z \leq 3$

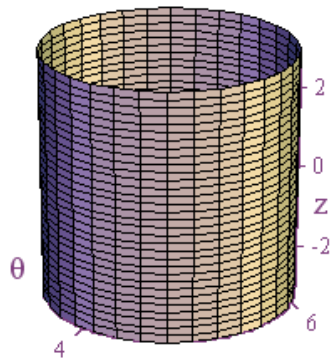
$$r = \theta$$

5. $0 \leq \theta \leq 2\pi$ _____
 $-3 \leq z \leq 3$

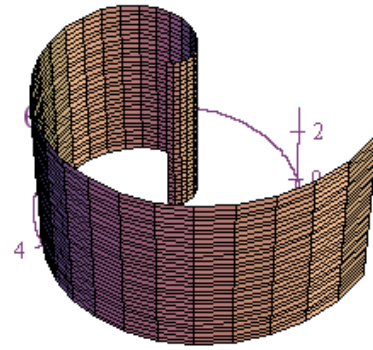
$$r = 3$$

6. $0 \leq \theta \leq 2\pi$ _____
 $-3 \leq z \leq 3$

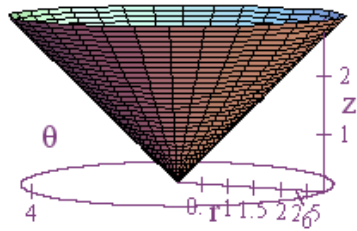
CYLINDRICAL GRAPHS



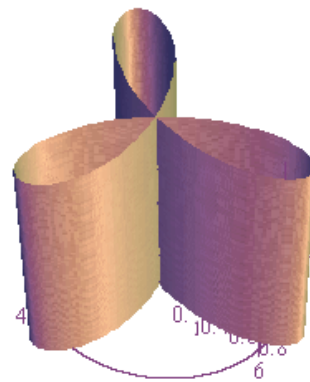
a.



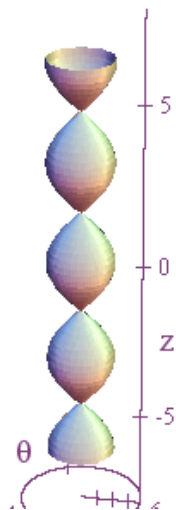
b.



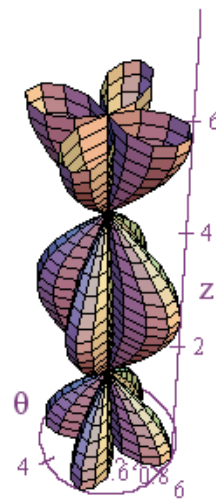
c.



d.



e.



f.